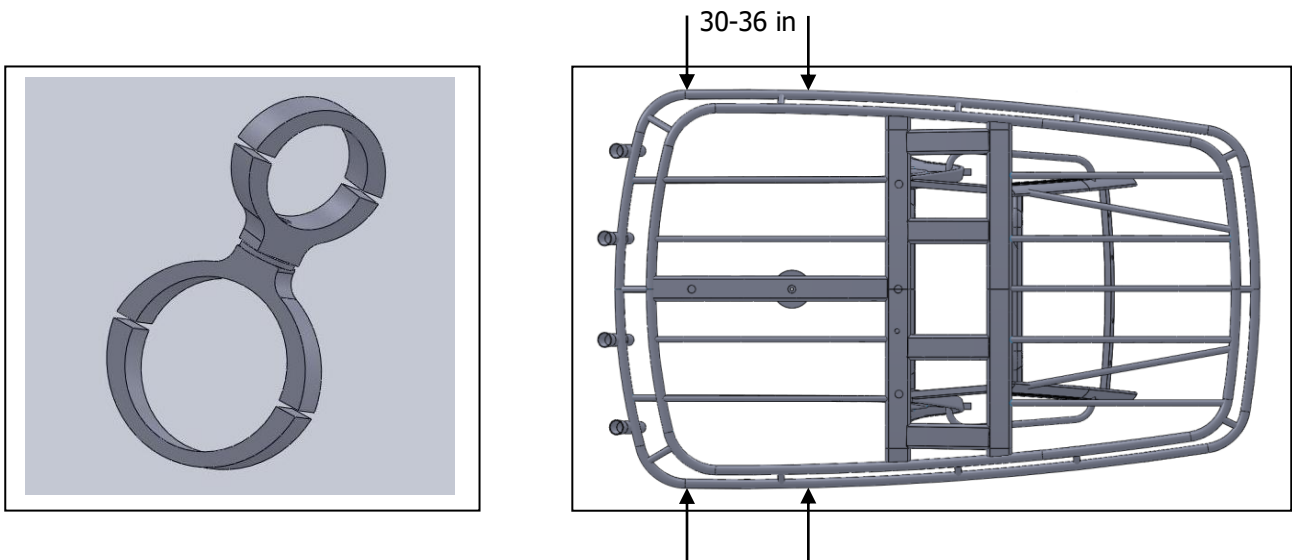


SureShade MTX2 Measuring Instructions for T-Top

SUMMARY

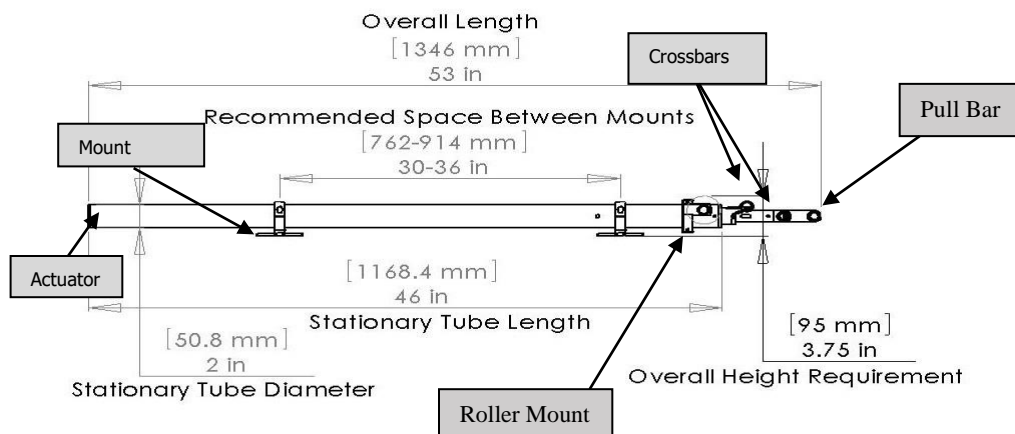
- **STEP 1:** Determine mounting area based on MTX2 shade space requirements
- **STEP 2:** Determine shade width and tube diameter
- **STEP 3:** Determine if a camber (curvature) to the shade's cross-components (crossbars and roller) is needed
- **STEP 4:** Determine if mounting spacers are required

STEP 1: DETERMINE MOUNTING AREA based on MTX2 shade space requirements

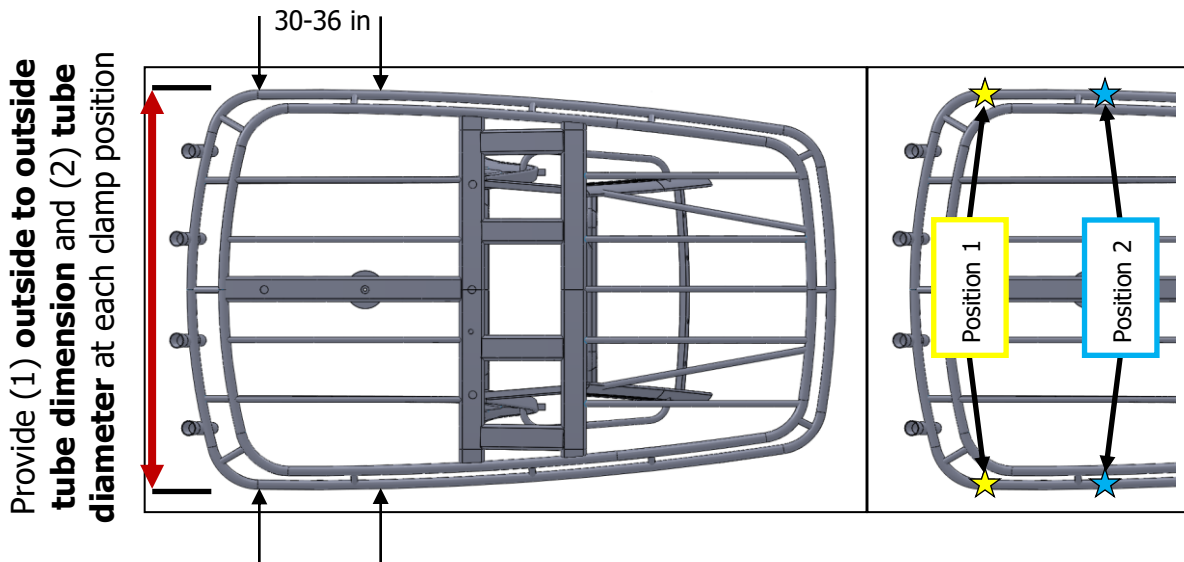


On a T-Top frame, the MTX2 shade is mounted to two points on the tube 30-36 in (762-914 mm) apart with figure 8 clamps shown above. Determine where on the tube the clamps will be placed.

Consider how high the shade will be. There should be enough room to walk under the shade without issue but not too much to where the pull bar is out of reach. There should be no more than 78 in (1981 mm) of space between the deck and the pull bar.



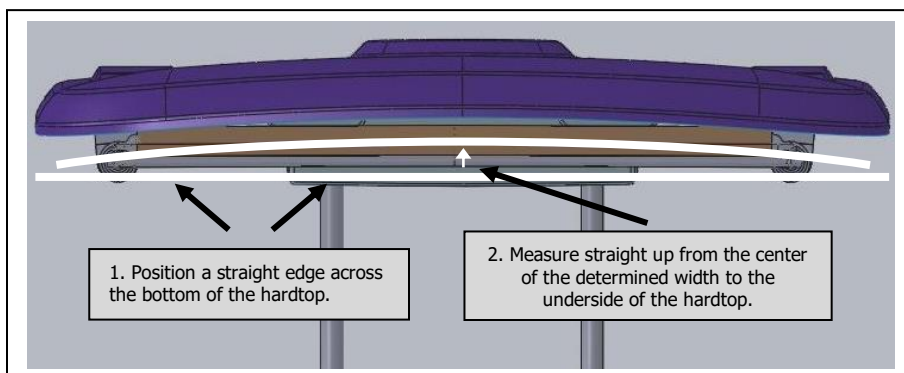
STEP 2: DETERMINE SHADE WIDTH. MTX2 framework (stationary actuator) and mounting clamps require an **obstruction-free area** shown below.



MTX2 shade width is specified by the **“outside to outside” tube dimension** – outside of PORT actuator to outside of STBD actuator. The maximum possible width for an MTX2 shade is 78” (1981 mm). **Framework must be parallel for proper operation.**

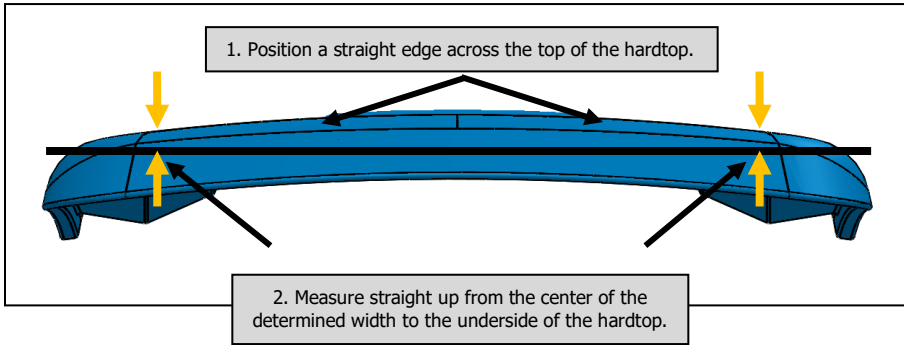
Once mounting area is determined for shade framework, measure and provide the OUTSIDE to OUTSIDE width dimension of both sections where the clamps will be placed. Also measure and provide the tube diameter of both sections.

STEP 3: DETERMINE CAMBER HEIGHT. The MTX2 shade’s cross-components—the outer crossbar, mid crossbar, and canvas roller—can be cambered (curved) to conform to the curvature of the hardtop. Determine if the hardtop has curvature and if camber is desired.



For bottom mounted shades, once width is determined,
 (1) Position a straight edge across the bottom of the hardtop.
 (2) Measure straight up from the center of the determined width to underside of the hardtop.
 (3) Provide the camber height dimension in inches or mm.





For top mounted shades, once width is determined,
 (1) Position a straight edge across the topside of the hardtop.
 (2) Measure from the straight edge to where the actuator will mount.
 (3) Provide the camber height dimension in inches or mm.

STEP 4: DETERMINE IF SPACERS ARE NEEDED.



Spacers add extra height to the mounts to allow the shade to clear obstructions like rod holders and grab bars. SureShade can supply a spacer that extends the figure 8 clamp in $\frac{1}{2}$ " (12.7 mm) increments up to 3" (76.2 mm). The shade framework is 5.5" (140 mm) tall. Measure the height of any overhang (lip) or obstruction in the path of the framework. Round the measurement up to the nearest $\frac{1}{2}$ " (12.7 mm) to determine the height of the spacer required.

Please note the Figure 8 Mounts are made of **Anodized Aluminum** while the actuators are made of **Stainless Steel**. Your kit will include rubber to be installed between the 2 metals. If you would prefer the mounts and tubes match, there is the option of wet painting the mounts and actuators tubes with additional cost of \$500.



PLEASE SUBMIT YOUR MEASUREMENTS ONLINE <https://www.sureshade.com/measure/>

If you prefer- please email the completed sheet to sales@sureshade.com
or directly to your sales representative.

MTX2 T-Top Shade Specifications	
Boat YEAR/MAKE/MODEL	
Shade Type	
Extension Length	
Mounting Component	
Mounting Placement	
Roller Placement	
Canvas Color	
Position 1	Outside to Outside Tube Width (inches or mm)
	Tube Diameter (inches or mm)
Position 2	Outside to Outside Tube Width (inches or mm)
	Tube Diameter (inches or mm)
Camber Height (inches or mm)	
Measured Spacer Height (1/2 inch [12.7 mm] increment)	
Customer Details COMMERCIAL SHIP TO ADDRESS AND PHONE NUMBER	

If you have any questions please call 877-333-8323 or 215-673-2307

DISCLAIMER: All shades are made to custom specifications. Ensure all measurements are accurate before sending them to your customer service representative. Any errors made by the customer are the customer's responsibility.

