

SureShade RTX Measuring Instructions for Hardtop

SUMMARY

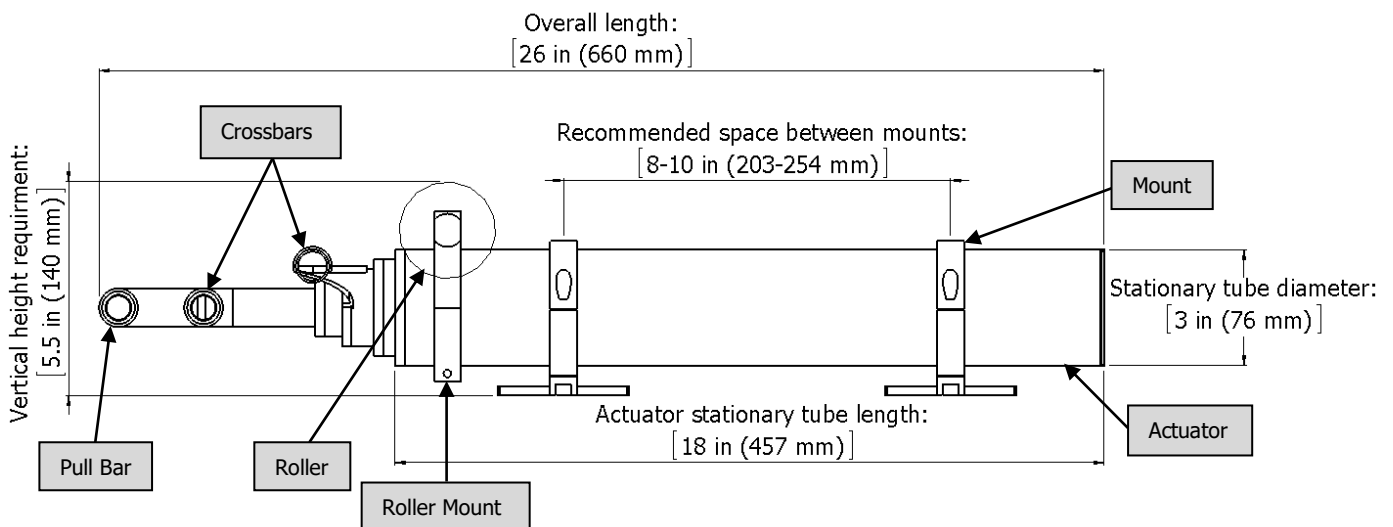
- **STEP 1:** Determine mounting area (underside or topside) based on RTX shade space requirements
- **STEP 2:** Determine shade width
- **STEP 3:** Determine if a camber (curvature) to the shade's cross-components (crossbars and roller) is needed
- **STEP 4:** Determine if mounting spacers are required

STEP 1: DETERMINE MOUNTING AREA (underside or topside) based on RTX shade space requirements



Shade width and crossbar camber (if any) are customized to client specification.

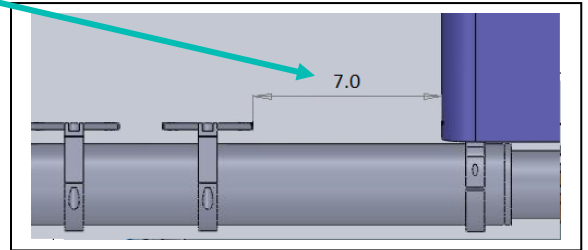
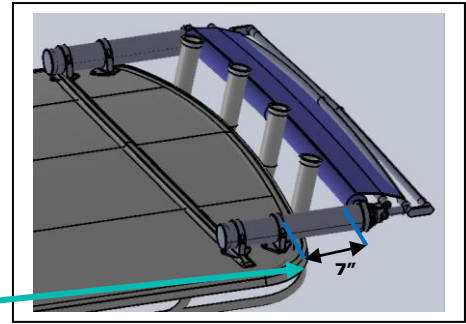
Actuator (framework) dimensions are shown below.



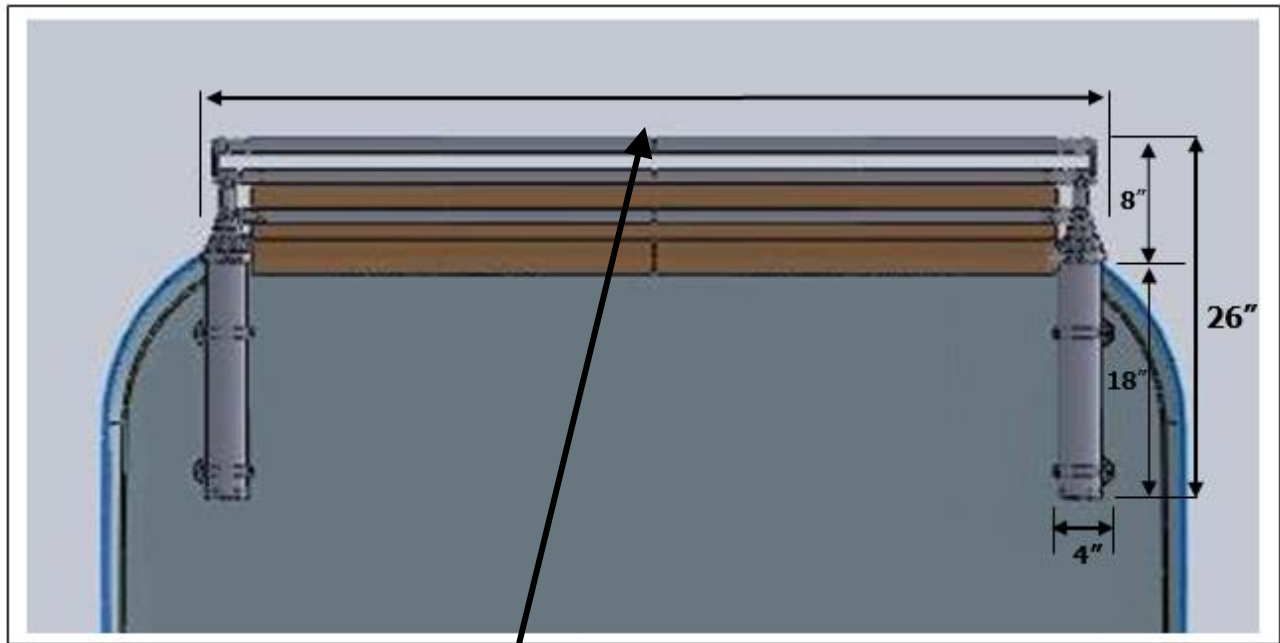
Does your boat have rod holders?

If your boat has rod holders, the shade canvas roller may sit aft of the rod holders. Due to the compact framework of the RTX, for proper shade stability, there needs to be no more than a 7" clearance between the shade roller and where the aft mount will be placed.

If the rod holders require more than 7 in (178 mm), the RTX model is not possible for the boat at this time. Please contact a SureShade representative to discuss the MTF and ATF model shades, which have greater clearances to accommodate rod holders or similar obstructions.



STEP 2: DETERMINE SHADE WIDTH. RTX framework (stationary actuator) and mounting clamps require an **obstruction-free area** shown below.

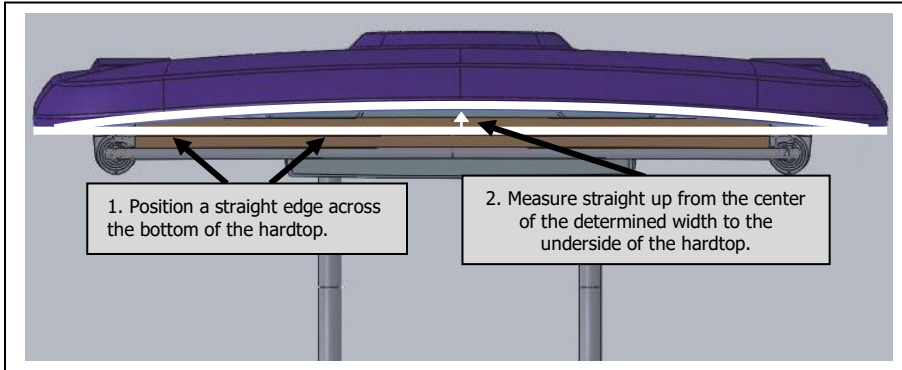


RTX shade width is specified by the **"outside to outside" tube dimension** – outside of PORT actuator to outside of STBD actuator. The maximum possible width for an RTX shade is 78" (1981 mm). **Framework must be parallel for proper operation.**

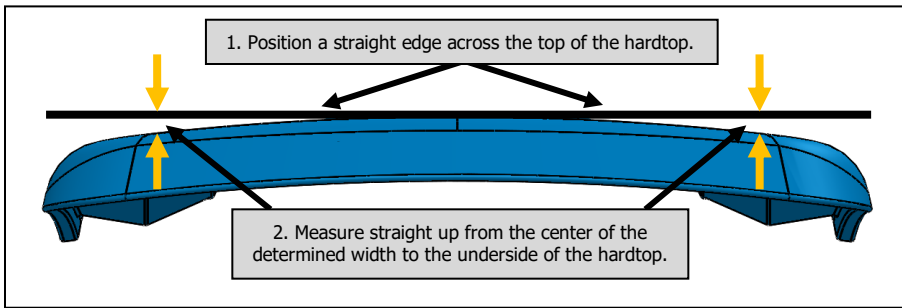
Once required space is determined for shade framework, measure and provide the OUTSIDE to OUTSIDE width dimension.



STEP 3: DETERMINE CAMBER HEIGHT. The RTX shade’s cross-components—the outer crossbar, mid crossbar, and canvas roller—can be cambered (curved) to conform to the curvature of the hardtop. Determine if the hardtop has curvature and if camber is desired.

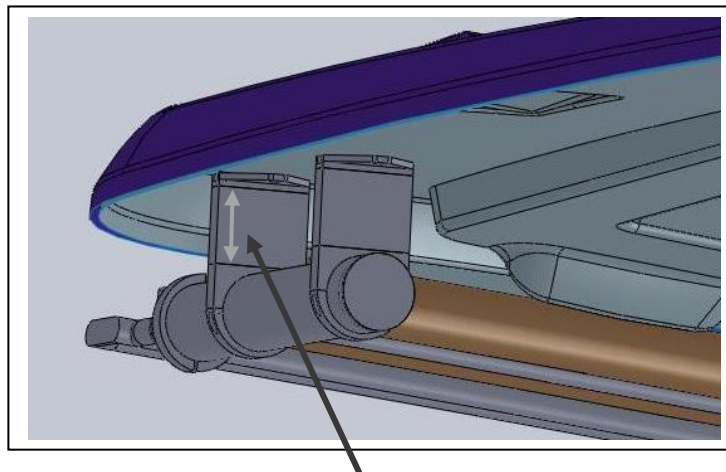


For bottom mounted shades, once width is determined,
 (1) Position a straight edge across the bottom of the hardtop.
 (2) Measure straight up from the center of the determined width to underside of the hardtop.
 (3) Provide the camber height dimension in inches or mm.



For top mounted shades, once width is determined,
 (1) Position a straight edge across the topside of the hardtop.
 (2) Measure from the straight edge to where the actuator will mount.
 (3) Provide the camber height dimension in inches or mm.

STEP 4: DETERMINE IF SPACERS ARE NEEDED.



Spacers are used to allow the shade to clear the overhang (or lip) of the hardtop or any other obstructions like rod holders. SureShade can supply a spacer that fits in between the mounting clamp and the mounting plate in 1/2" (12.7 mm) increments up to 3" (76.2 mm). The shade framework is 5.5" (140 mm) tall. Measure the height of any overhang (lip) or obstruction in the path of the framework. Round the measurement up to the nearest 1/2" (12.7 mm) to determine the height of the spacer required.



PLEASE SUBMIT YOUR MEASUREMENTS ONLINE <https://www.sureshade.com/measure/>

If you prefer - please email the completed sheet to sales@sureshade.com
or directly to your sales representative.

RTX Hardtop Shade Specifications	
Customer Name	
Email Address & Phone Number	
Commercial Ship to Address	
Preferred Payment Method (Check, Wire Transfer, Paypal (3% Surcharge))	
Boat YEAR/MAKE/MODEL	
Quantity	
Placement (Top or Bottom mount)	
Mounting Component	Standard
Extension Length	4.5FT
Canvas Color	
Outside-to-Outside Tube Width (inches or mm)	
Measured Camber Height (inches or mm)	
Measured Spacer Height ($\frac{1}{2}$ inch [12.7 mm] increment)	

If you have any questions please call 877-333-8323 or 215-673-2307

DISCLAIMER: All shades are made to custom specifications. Ensure all measurements are accurate before sending them to your customer service representative. Any errors made by the customer are the customer's responsibility.

