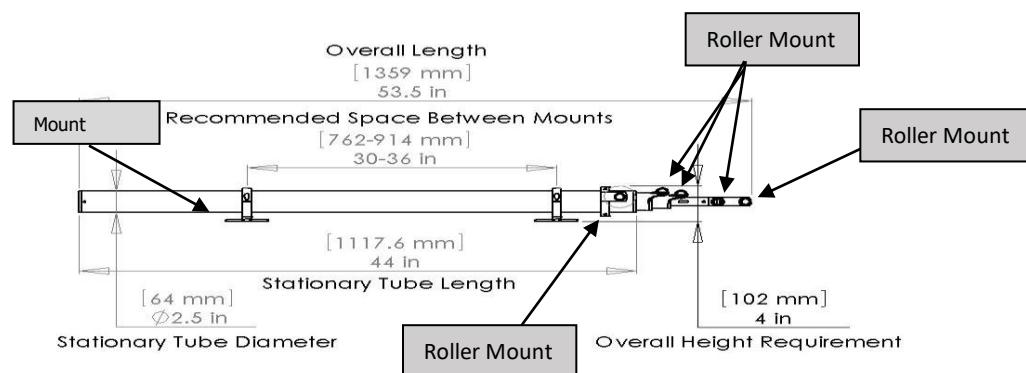
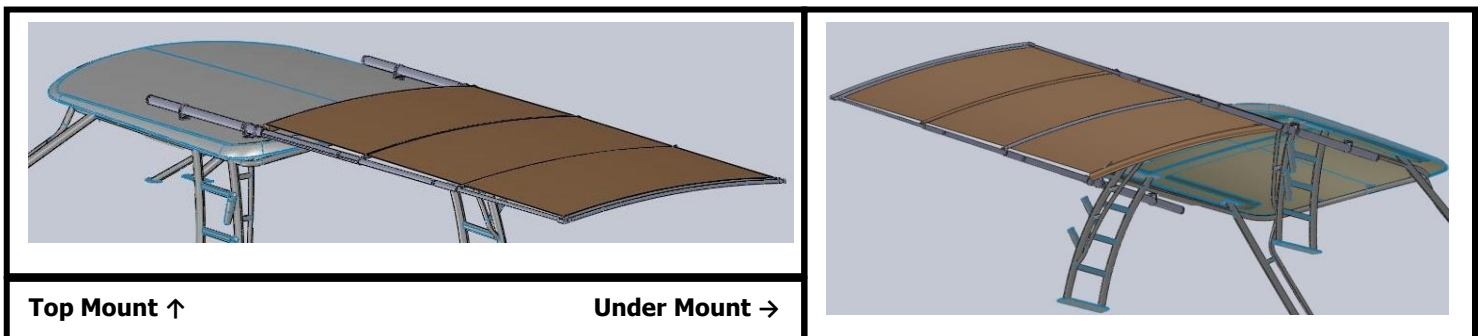


## SureShade MTX3 Measuring Instructions for Hardtop

### SUMMARY

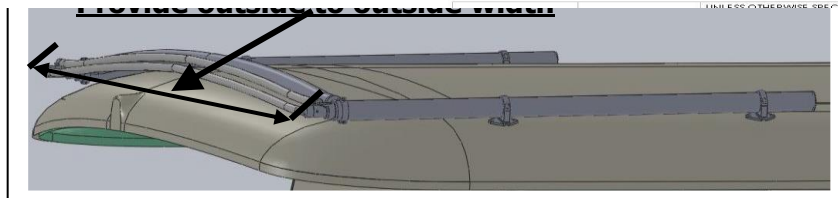
- **STEP 1:** Determine mounting area (underside or topside) based on MTX3 shade space requirements
- **STEP 2:** Determine shade width
- **STEP 3:** Determine if a camber to the shade's cross-components (crossbars and roller) is needed
- **STEP 4:** Determine if mounting spacers are required

**STEP 1: DETERMINE MOUNTING AREA** (underside or topside) based on MTX3 shade space requirements. The MTX3 shade comes in extension lengths of **9 FT** (2743 mm). The MTX3 has a unique stationary tube length dimensions, found below. Shade width and crossbar camber (if any) are customized to client specification.



### STEP 2: area show

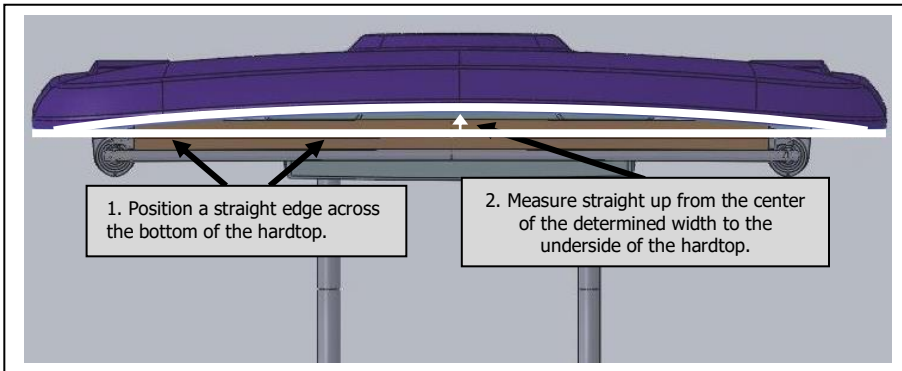
ee



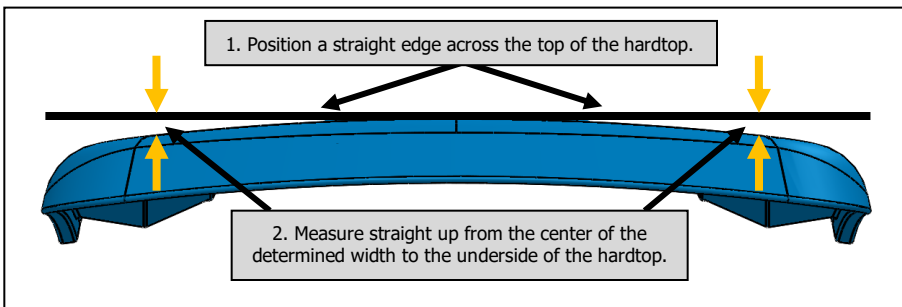
MTX3 shade width is specified by the **"outside to outside" tube dimension** – outside of PORT actuator to outside of STBD actuator. The maximum possible width for an MTX3 shade is 78 in (1981 mm). Consider how high the shade will be. There should be enough room to walk under the shade without issue but not too much to where the pull is out of reach. There should be no more than 78 in (1981 mm) of space between the deck and the pull bar.

**Once required space is determined for shade framework, measure and provide the OUTSIDE to OUTSIDE width dimension.**

**STEP 3: DETERMINE CAMBER HEIGHT.** The MTX3 shade’s cross-components—the outer crossbar, mid crossbar, and canvas roller—can be cambered (curved) to conform to the curvature of the hardtop. Determine if the hardtop has curvature and if camber is desired.

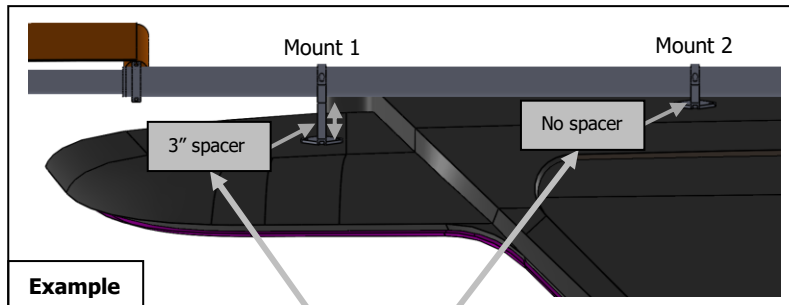


**For bottom mounted shades,** once width is determined,  
 (1) Position a straight edge across the bottom of the hardtop.  
 (2) Measure straight up from the center of the determined width to underside of the hardtop.  
 (3) Provide the camber height dimension in inches or mm.



**For top mounted shades,** once width is determined,  
 (1) Position a straight edge across the topside of the hardtop.  
 (2) Measure from the straight edge to where the actuator will mount.  
 (3) Provide the camber height dimension in inches or mm.

**STEP 4: DETERMINE IF MOUNTING SPACERS ARE REQUIRED.**



Spacers are used to allow the shade to clear the overhang (or lip) of the hardtop or other obstructions like rod holders. SureShade can supply a spacer that fits in between the mounting clamp and the mounting plate in 1/2" (12.7 mm) increments up to 3" (76 mm). The shade framework is 4" (102 mm) tall. Measure the height of any overhang (lip) or obstruction in the path of the framework. Round the measurement up to the nearest 1/2" (12.7 mm) to determine the height of the spacer required.

**In this example,** Mount 1 requires a spacer to keep the actuator parallel with the second step of the hardtop. A spacer is not needed for Mount 2.



**PLEASE SUBMIT YOUR MEASUREMENTS ONLINE <https://www.sureshade.com/measure/>**  
 If you prefer- please email the completed sheet to [sales@sureshade.com](mailto:sales@sureshade.com)  
 or directly to your sales representative.

MTX3 Hardtop Shade Specifications	
Customer Name	
Email Address & Phone Number	
Commercial Ship to Address	
Preferred Payment Method (Check, Wire Transfer, Credit Card)	
Boat YEAR/MAKE/MODEL	
Quantity	
Placement (Top or Bottom mount)	
Mounting Component	Standard
Extension Length	9FT
Canvas Color	
Outside-to-Outside Tube Width (inches or mm)	
Measured Camber Height (inches or mm)	
Measured Spacer Height (½ inch [12.7 mm] increment)	

**If you have any questions, please call 877-333-8323 or 215-673-2307**

**DISCLAIMER: All shades are made to custom specifications. Ensure all measurements are accurate before sending them to your customer service representative. Any errors made by the customer are the customer's responsibility.**

