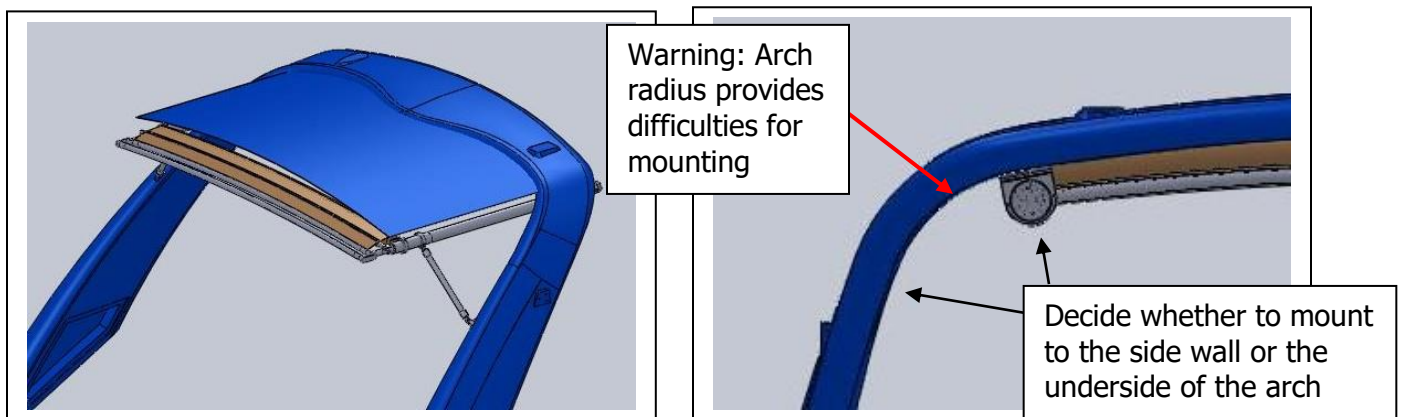


SureShade MTX2 Measuring Instructions for Fiberglass Radar Arch

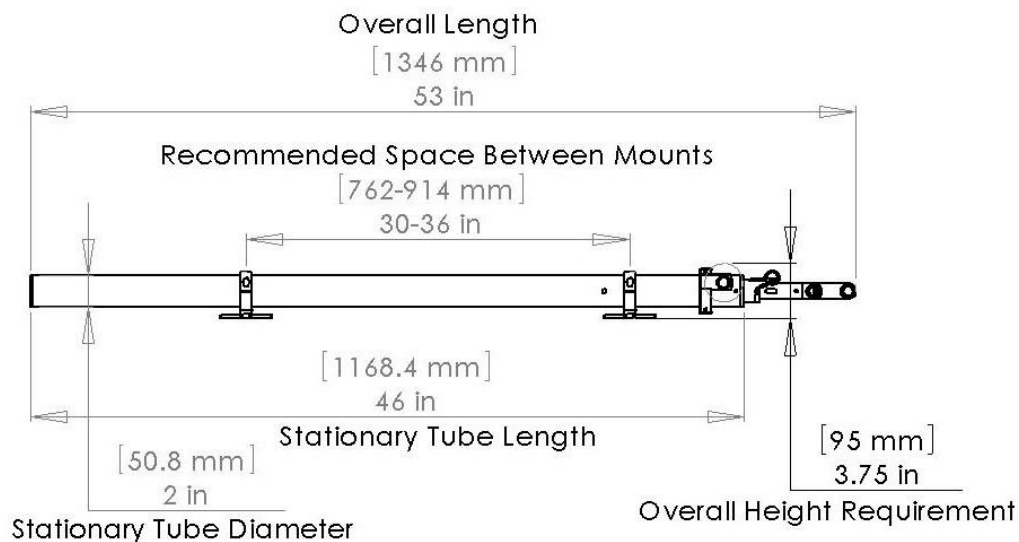
SUMMARY

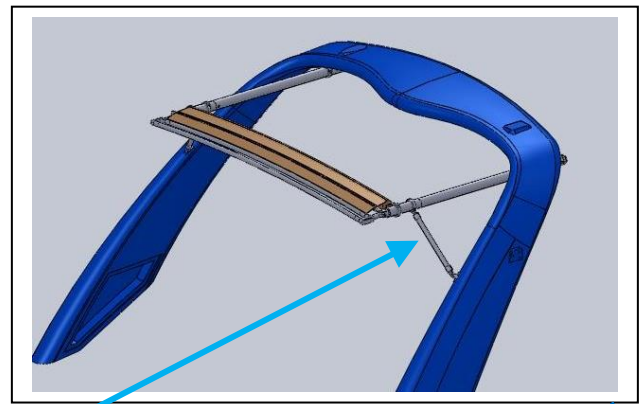
- **STEP 1:** Determine mounting area based on MTX2 shade space requirements
- **STEP 2:** Determine shade width
- **STEP 3:** Determine if a camber (curvature) to the shade's cross-components (crossbars and roller) is needed
- **STEP 4:** Determine if mounting spacers are required

STEP 1: DETERMINE MOUNTING AREA based on MTX2 shade space requirements

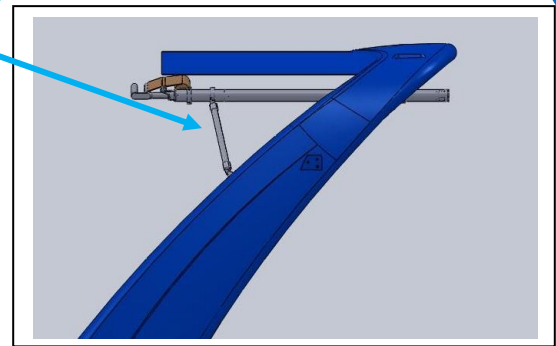


Shade width and crossbar camber (if any) are customized to client specification.
 Actuator (framework) dimensions are shown below.

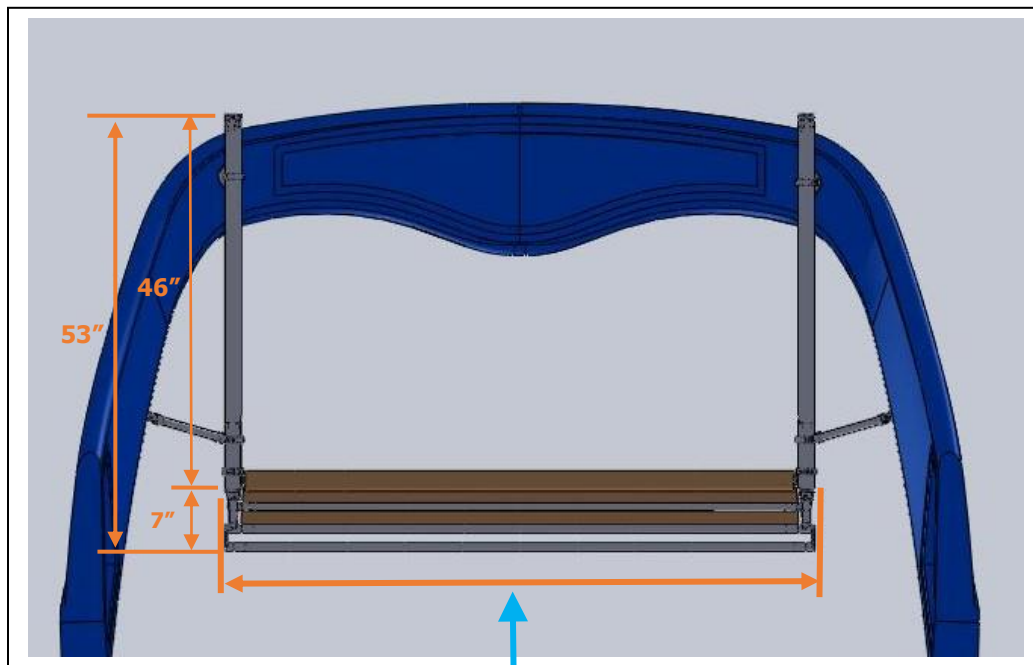




The stanchions will need to be cut to custom length during installation to clear obstructions and be level according to installation placement. We provide a 36 in (914 mm) stanchion as a standard.



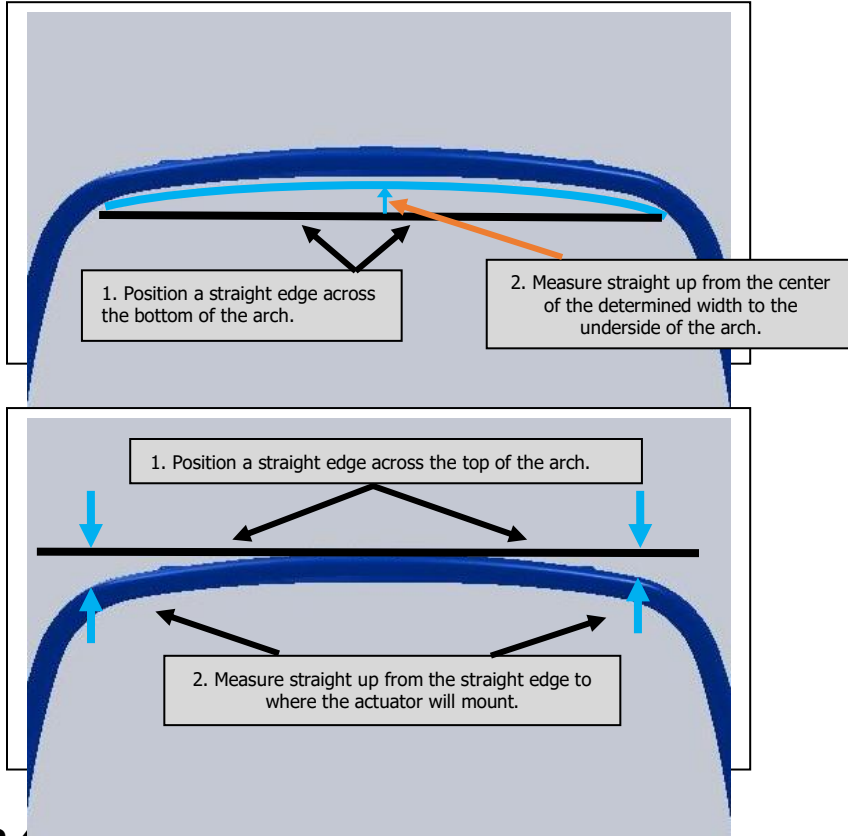
STEP 2: DETERMINE SHADE WIDTH. MTX2 framework (stationary actuator) and mounting clamps require an **obstruction-free area** shown below.



MTX2 shade width is specified by the **"outside to outside" tube dimension** – outside of PORT actuator to outside of STBD actuator. The maximum possible width for an MTX2 shade is 78" (1981 mm). **Framework must be parallel for proper operation.**
Once required space is determined for shade framework, measure and provide the OUTSIDE to OUTSIDE width dimension.



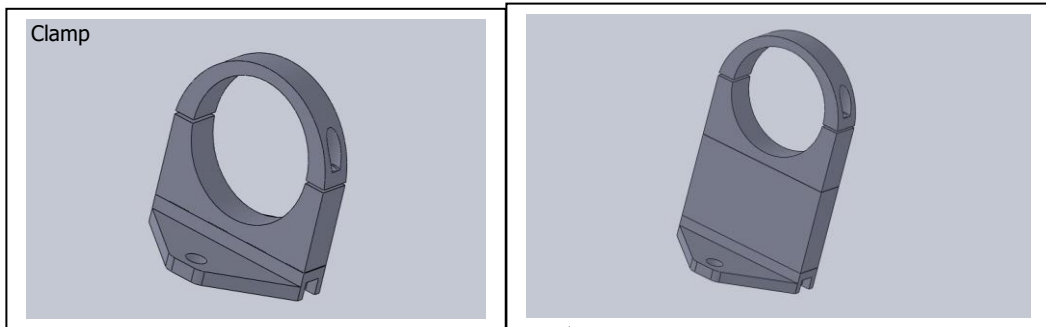
STEP 3: DETERMINE CAMBER HEIGHT. The MTX shade’s cross-components—the outer crossbar, mid crossbar, and canvas roller—can be cambered (curved) to conform to the curvature of the arch. Determine if the arch has curvature and if camber is desired.



For bottom mounted shades, once width is determined,
 (1) Position a straight edge across the bottom of the arch.
 (2) Measure straight up from the center of the determined width to underside of the arch.
 (3) Provide the camber height dimension in inches or mm.

For top mounted shades, once width is determined,
 (1) Position a straight edge across the topside of the arch.
 (2) Measure from the straight edge to where the actuator will mount.
 (3) Provide the camber height dimension in inches or mm.

STEP 4: DETERMINE SPACER LENGTH.



Pictured is the standard clamp used to mount the shade to the arch. Spacers are used to allow the shade to clear any obstructions like rod holders. SureShade can supply a spacer that sits between the mounting clamps in 1/2" (12.7 mm) increments up to 3" (76.2 mm). The shade framework is 5.5" (140 mm) tall. Measure the height of any overhang (lip) or obstruction in the path of the framework. Round the measurement up to the nearest 1/2" (12.7 mm) to determine the height of the spacer required.



PLEASE SUBMIT YOUR MEASUREMENTS ONLINE <https://www.sureshade.com/measure/>
 If you prefer- please email the completed sheet to sales@sureshade.com
 or directly to your sales representative.

MTX2 Fiberglass Radar Arch Shade Specifications	
Customer Name	
Email Address & Phone Number	
Commercial Ship to Address	
Preferred Payment Method (Check, Wire Transfer, Credit Card)	
Boat Year/Make/Model	
Quantity	
Placement (Top or Bottom mount)	
Mounting Component	Standard
Stanchions Required (Note-Clamps are Anodize Aluminum)	YES
Extension Length	6FT
Canvas Color	
Outside-to-Outside Tube Width (inches or mm)	
Measured Camber Height (inches or mm)	
Measured Spacer Height (1/2 inch [12.7 mm] increment)	

If you have any questions, please call 877-333-8323 or 215-673-2307

DISCLAIMER: All shades are made to custom specifications. Ensure all measurements are accurate before sending them to your customer service representative. Any errors made by the customer are the customer's responsibility.

