

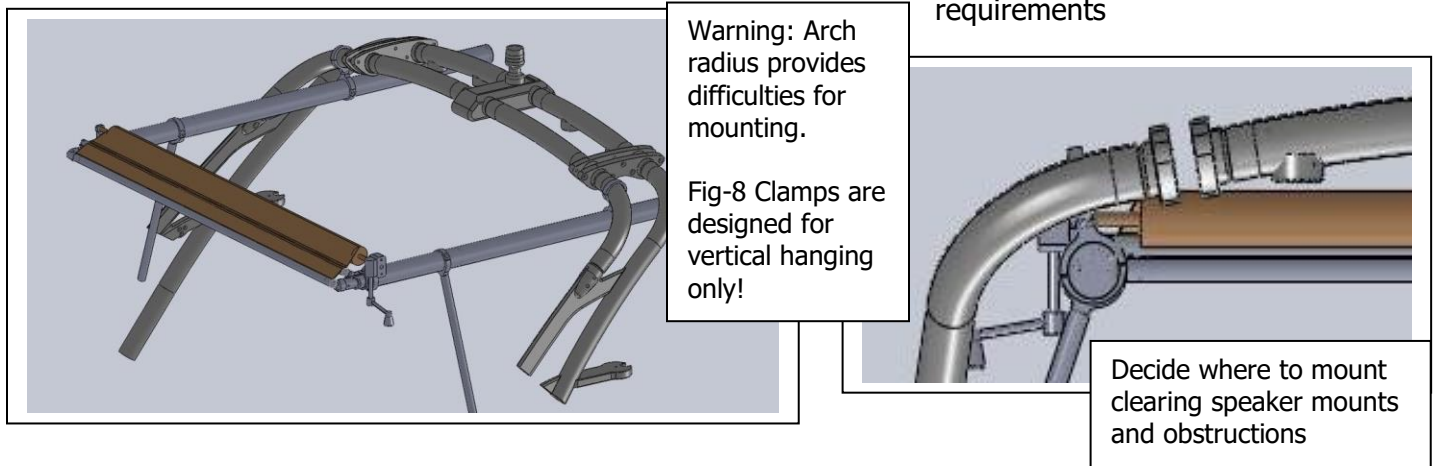
SureShade MTF Tubular Radar Arch Measuring Instructions

SUMMARY

- **STEP 1:** Determine mounting area based on MTF shade space requirements
- **STEP 2:** Determine shade width
- **STEP 3:** Determine if mounting spacers are required

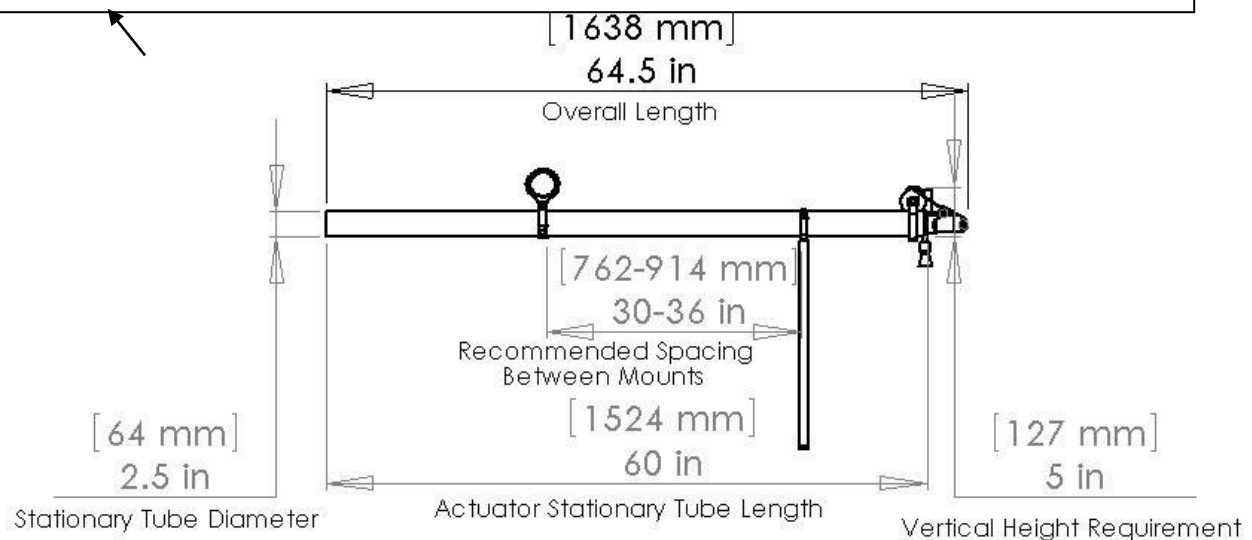
STEP 1: DETERMINE MOUNTING AREA

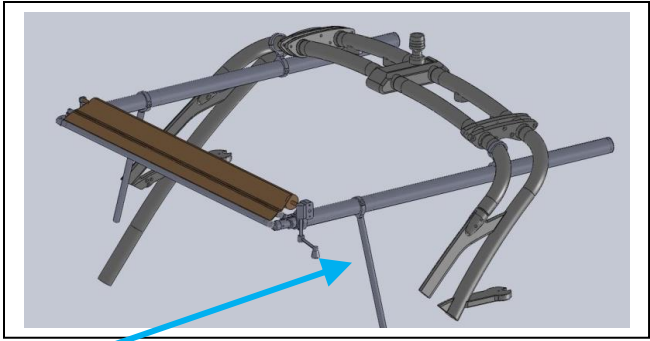
based on MTF shade space requirements



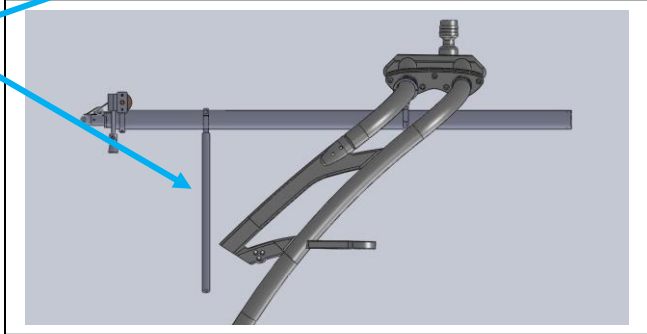
Shade width and crossbar camber (if any) are customized to client specification.

Actuator (framework) dimensions are shown below.

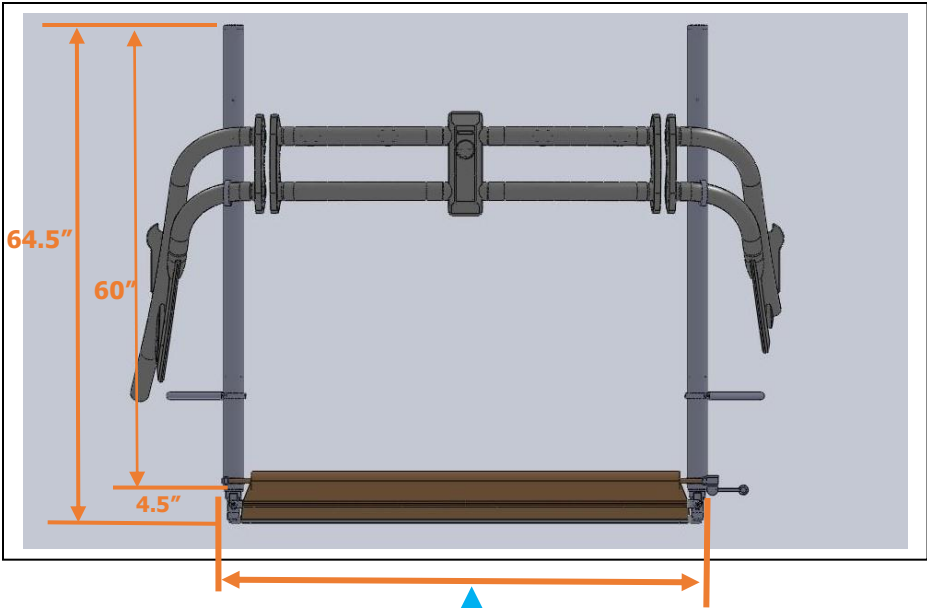




The stanchions will need to be cut to custom length during installation to clear obstructions and be level according to installation placement. We provide a 36 in (914 mm) stanchion as a standard.



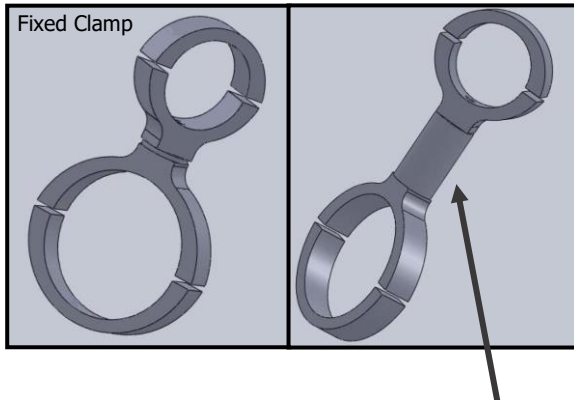
STEP 2: DETERMINE SHADE WIDTH. MTF framework (stationary actuator) and mounting clamps require an **obstruction-free area** shown below.



MTF shade width is specified by the **"outside to outside" tube dimension** – outside of PORT actuator to outside of STBD actuator. The maximum possible width for an MTF shade is 96" (2438 mm). **Framework must be parallel for proper operation.**
Once required space is determined for shade framework, measure and provide the OUTSIDE to OUTSIDE width dimension.



STEP 3: DETERMINE SPACER LENGTH.



Pictured is the figure 8 clamp used to mount the shade to the arch. Spacers are used to allow the shade to clear any obstructions like rod holders. SureShade can supply a spacer that sits between the mounting clamps in $\frac{1}{2}$ " (12.7 mm) increments up to 3" (76.2 mm). The shade framework is 5" (127 mm) tall. Measure the height of any overhang (lip) or obstruction in the path of the framework. Round the measurement up to the nearest $\frac{1}{2}$ " (12.7 mm) to determine the height of the spacer required.



PLEASE SUBMIT YOUR MEASUREMENTS ONLINE <https://www.sureshade.com/measure/>
 If you prefer- please email the completed sheet to sales@sureshade.com
 or directly to your sales representative.

MTF Tubular Radar Arch Shade Specifications	
Customer Name	
Email Address & Phone Number	
Commercial Ship to Address	
Preferred Payment Method (Check, Wire Transfer, Credit Card)	
Boat Year/Make/Model	
Quantity	
Placement (Top or Bottom mount)	
Mounting Component	Fig 8 Clamps
Stanchions Required	YES
Extension Length	6FT
Canvas Color	
Outside-to-Outside Tube Width (inches or mm) – Position 1	
Tube Diameter (in or mm)- Position 1	
Outside-to-Outside Tube Width (inches or mm) – Position 2	
Tube Diameter (in or mm)- Position 2	
Measured Spacer Height (½ inch [12.7 mm] increment)	

If you have any questions, please call 877-333-8323 or 215-673-2307

DISCLAIMER: All shades are made to custom specifications. Ensure all measurements are accurate before sending them to your customer service representative. Any errors made by the customer are the customer's responsibility.

