

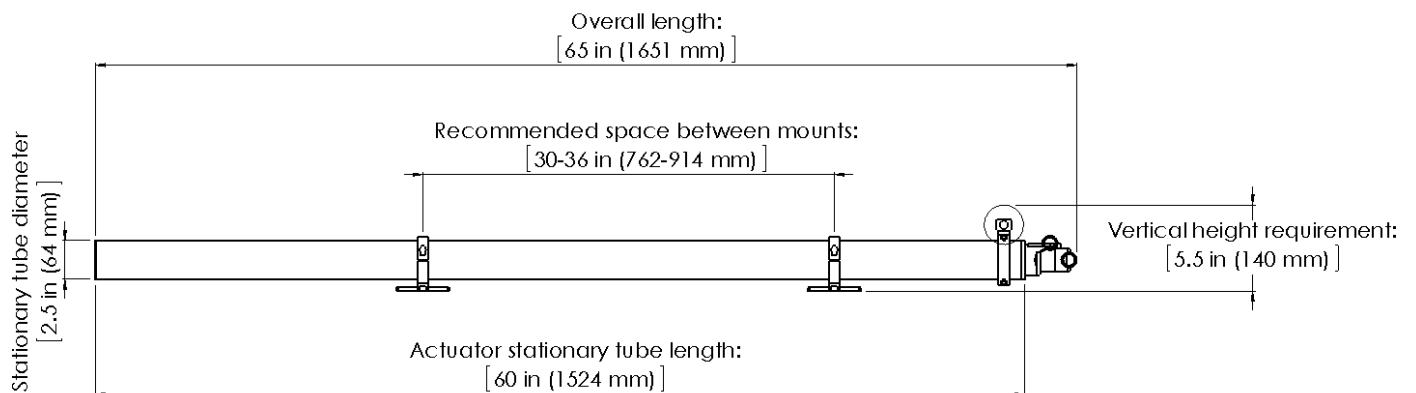
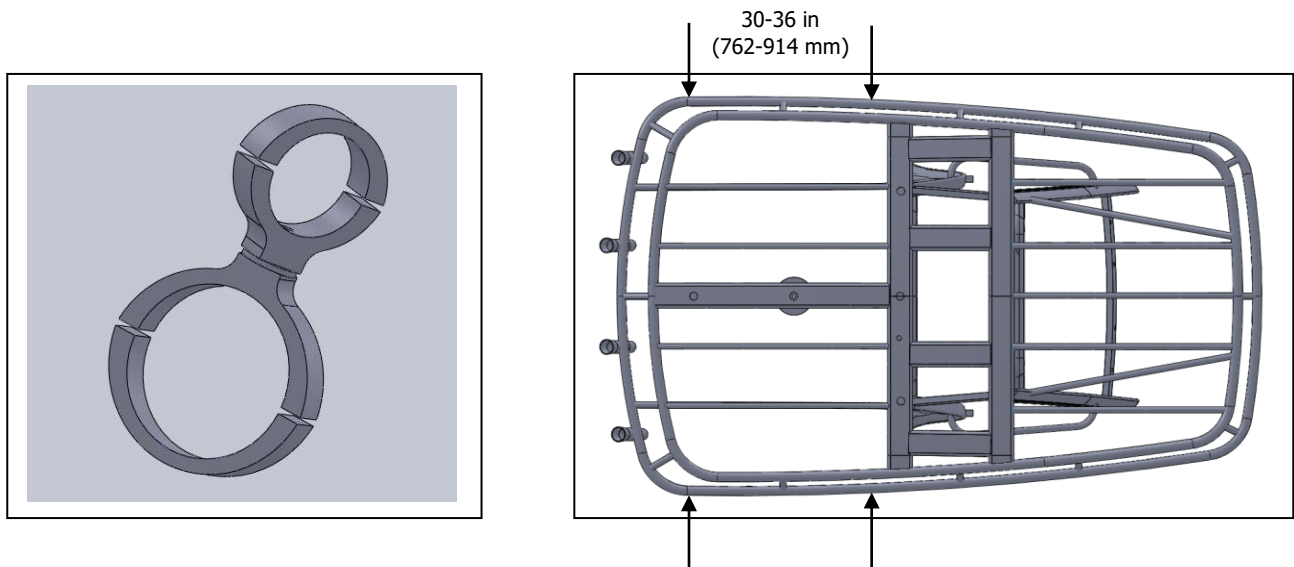
SureShade MTF Measuring Instructions for T-Top

SUMMARY

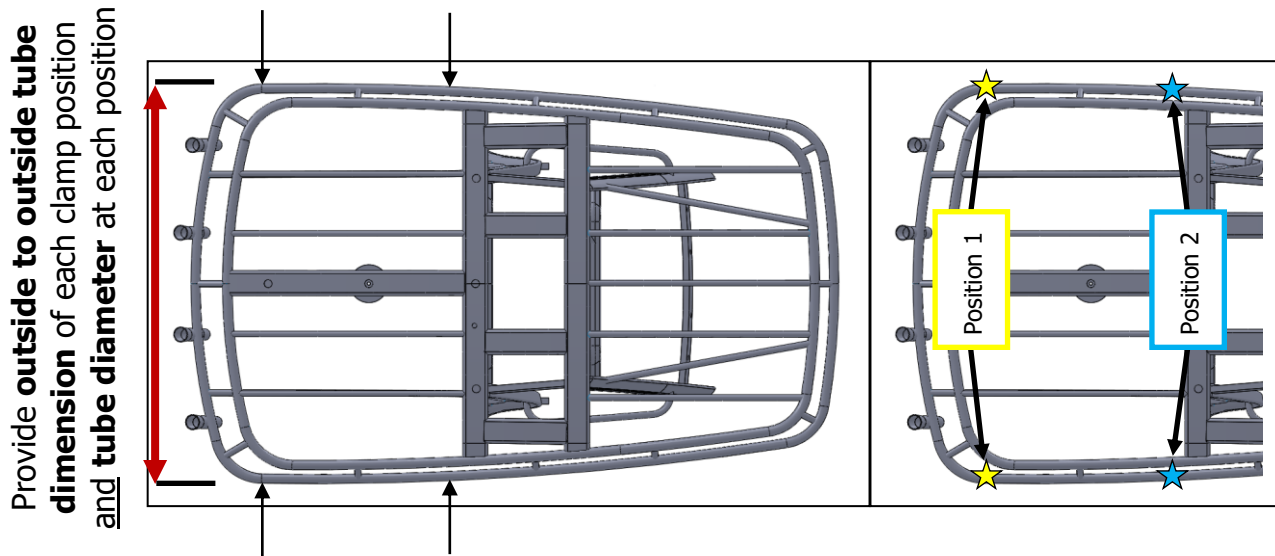
- **STEP 1:** Determine mounting area (underside or topside) based on MTF shade space requirements
- **STEP 2:** Determine shade width and tube diameter
- **STEP 3:** Determine if mounting spacers are required

STEP 1: DETERMINE MOUNTING AREA (underside or topside) based on MTF shade space requirements. An extension length of **6 FT** (1829 mm) is available for the MTF shade. Each extension length has unique stationary tube length dimensions, found below. Shade width is customized to client specification.

On a T-Top frame, the MTF shade is mounted to the frame with two figure 8 clamps on each side spaced 30-36 in (762-914 mm) apart. Determine which two tubes to mount the shade to. The shade can be mounted on the top or the bottom of the frame.



STEP 2: DETERMINE SHADE WIDTH. MTF framework (stationary actuator) and mounting clamps an **obstruction-free area** shown below.



MTF shade width is specified by the **"outside to outside" tube dimension** – outside of PORT actuator to outside of STBD actuator. The maximum possible width for an MTF shade is 96"

Once mounting area is determined for shade framework, measure and provide the OUTSIDE TO OUTSIDE width dimension of both tubes the shade will be mounted to. Also measure and provide the diameter of both tubes.

STEP 3: DETERMINE IF MOUNTING SPACERS ARE REQUIRED.



Spacers add extra length to the mounts to allow the shade to clear obstructions like rod holders and grab bars. SureShade can supply a spacer that extends the figure 8 clamp in 1/2" (12.7 mm) increments up to 3" (76.2 mm). The shade framework is 4" (102 mm) tall. Measure the height of any obstruction in the path of the framework. Round the measurement up to the nearest 1/2" (12.7 mm) to determine the height of the spacer required.



PLEASE SUBMIT YOUR MEASUREMENTS ONLINE <https://www.sureshade.com/measure/>

If you prefer- please email the completed sheet to info@sureshade.com
or directly to your sales representative.

MTF T-Top Shade Specifications	
Customer Name	
Email Address & Phone Number	
Commercial Ship to Address	
Preferred Payment Method (Check, Wire Transfer, Credit Card)	
Boat YEAR/MAKE/MODEL	
Quantity	
Placement	
Mounting Component	
Canvas Color	
Position 1	Outside-to-Outside Tube Width (inches or mm)
	Tube Diameter (inches or mm)
Position 2	Outside to Outside Tube Width (inches or mm)
	Tube Diameter (inches or mm)
Measured Spacer Height (1/2 inch [12.7 mm] increment)	

If you have any questions please call 877-333-8323 or 215-673-2307

DISCLAIMER: All shades are made to custom specifications. Ensure all measurements are accurate before sending them to your customer service representative. Any errors made by the customer are the customer's responsibility.

