

## SureShade MTF Measuring Instructions for Hardtop

### SUMMARY

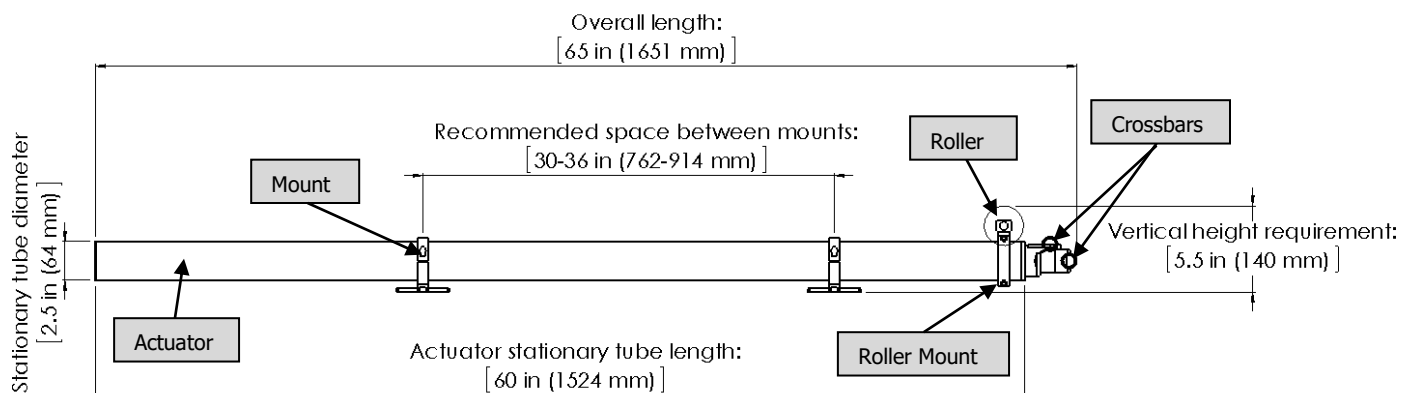
- **STEP 1:** Determine mounting area (underside or topside) based on MTF shade space requirements
- **STEP 2:** Determine shade width
- **STEP 3:** Determine if mounting spacers are required

**STEP 1: DETERMINE MOUNTING AREA** (underside or topside) based on MTF shade space requirements.

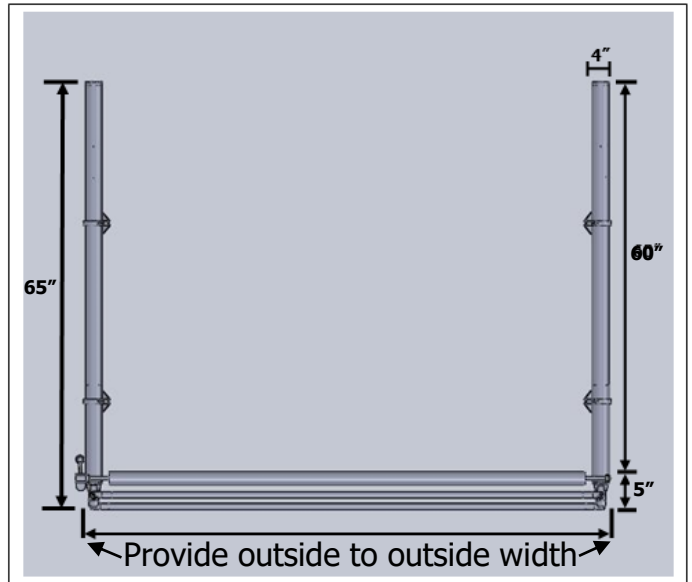


Shade width is customized to client specification.

Actuator (framework) dimensions are shown below.

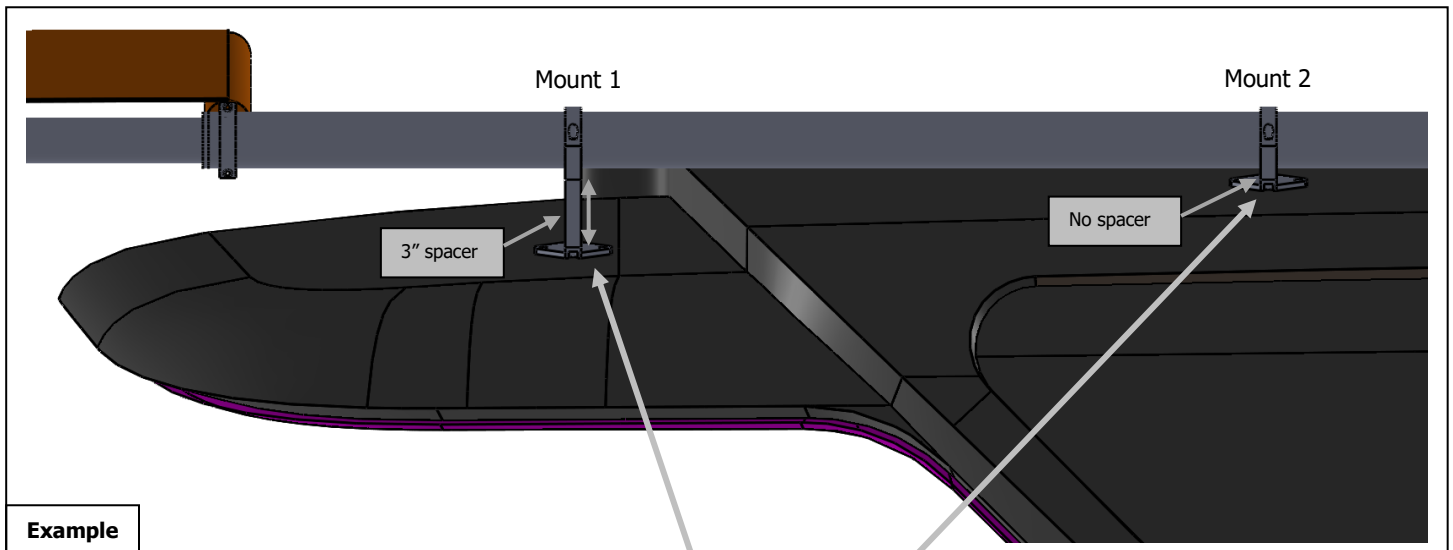


**STEP 2: DETERMINE SHADE WIDTH.** MTF framework (stationary actuator) and mounting clamps require an **obstruction-free area** shown below.



MTF shade width is specified by the **"outside to outside" tube dimension** – outside of PORT actuator to outside of STBD actuator. The maximum possible width for an MTF shade is 96" (2438 mm). Wider shades are special orders. **Framework must be parallel for proper operation.**  
**Once required space is determined for shade framework, measure and provide the OUTSIDE to OUTSIDE width dimension.**

**STEP 3: DETERMINE IF MOUNTING SPACERS ARE REQUIRED.**



Spacers are used to allow the shade to clear the overhang (or lip) of the hardtop or other obstructions like rod holders. SureShade can supply a spacer that fits in between the mounting clamp and the mounting plate in 1/2" (12.7 mm) increments up to 3" (76 mm). The shade framework is 4" (102 mm) tall. Measure the height of any overhang (lip) or obstruction in the path of the framework. Round the measurement up to the nearest 1/2" (12.7 mm) to determine the height of the spacer required.

**In this example,** Mount 1 requires a spacer to keep the actuator parallel with the second step of the hardtop. A spacer is not needed for Mount 2.



**PLEASE SUBMIT YOUR MEASUREMENTS ONLINE <https://www.sureshade.com/measure/>**

If you prefer- Please Email the completed sheet to [sales@sureshade.com](mailto:sales@sureshade.com)  
or directly to your sales representative.

MTF Hardtop Shade Specifications	
Customer Name	
Email Address & Phone Number	
Commercial Ship to Address	
Preferred Payment Method (Check, Wire Transfer, Credit Card)	
Boat Year/Make/Model	
Quantity	
Placement (Top or Bottom mount)	
Mounting Component	Standard
Extension Length	6FT
Canvas Color	
Outside-to-Outside Tube Width (inches or mm)	
Measured Spacer Height (1/2 inch [12.7 mm] increment)	

**If you have any questions please call 877-333-8323 or 215-673-2307**

**DISCLAIMER: All shades are made to custom specifications. Ensure all measurements are accurate before sending them to your customer service representative. Any errors made by the customer are the customer's responsibility.**

