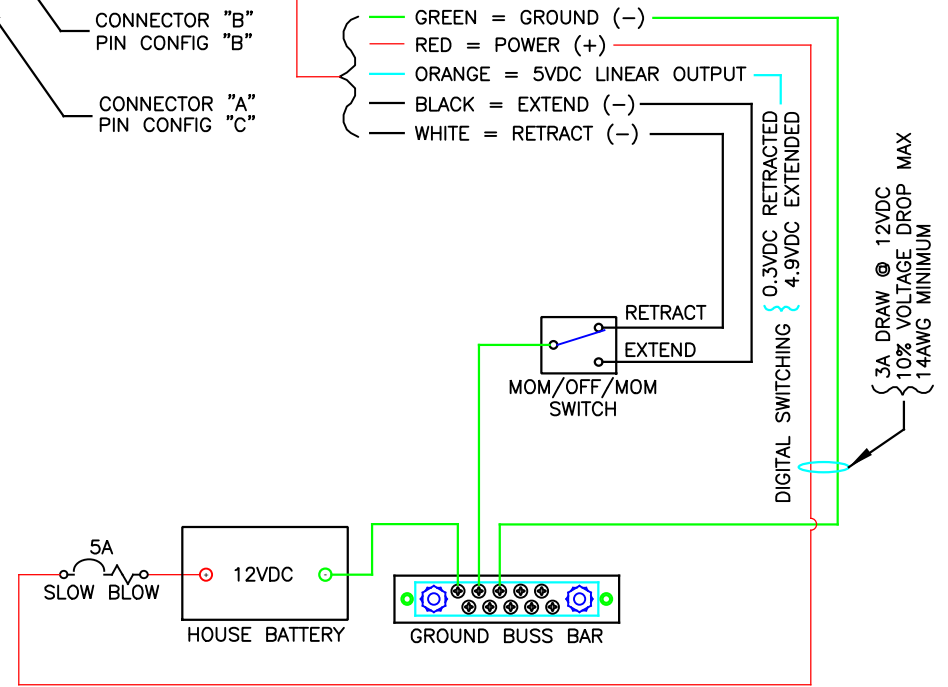
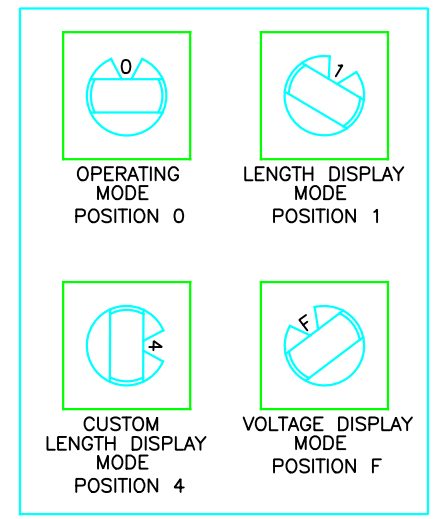
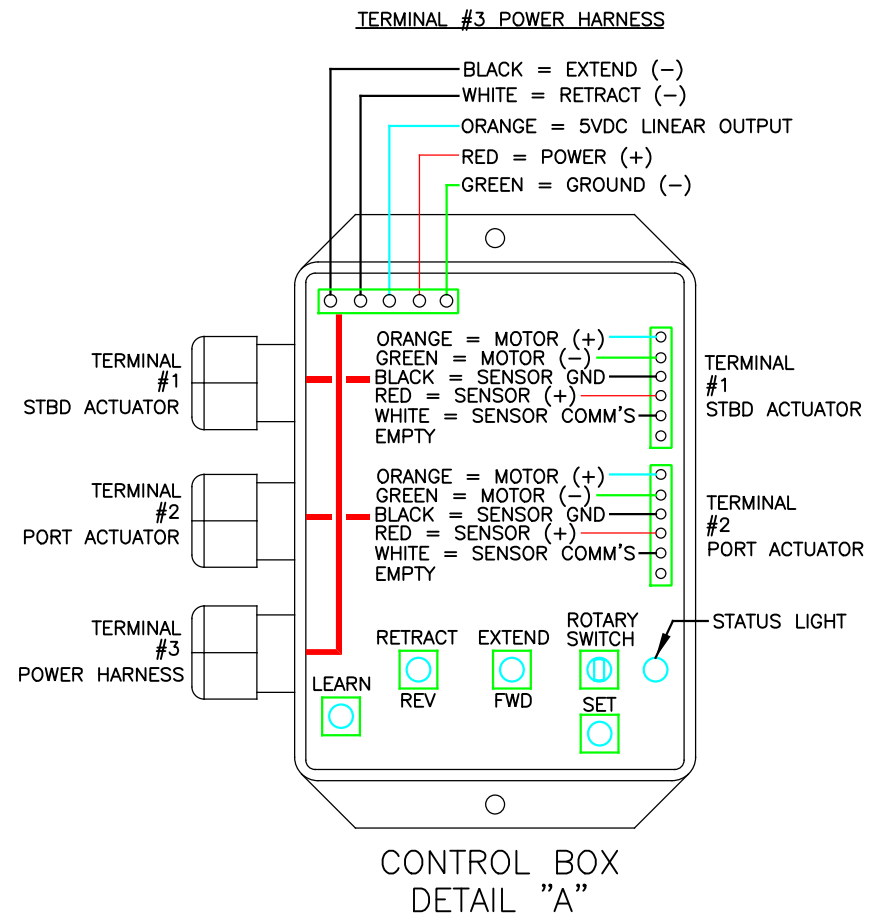
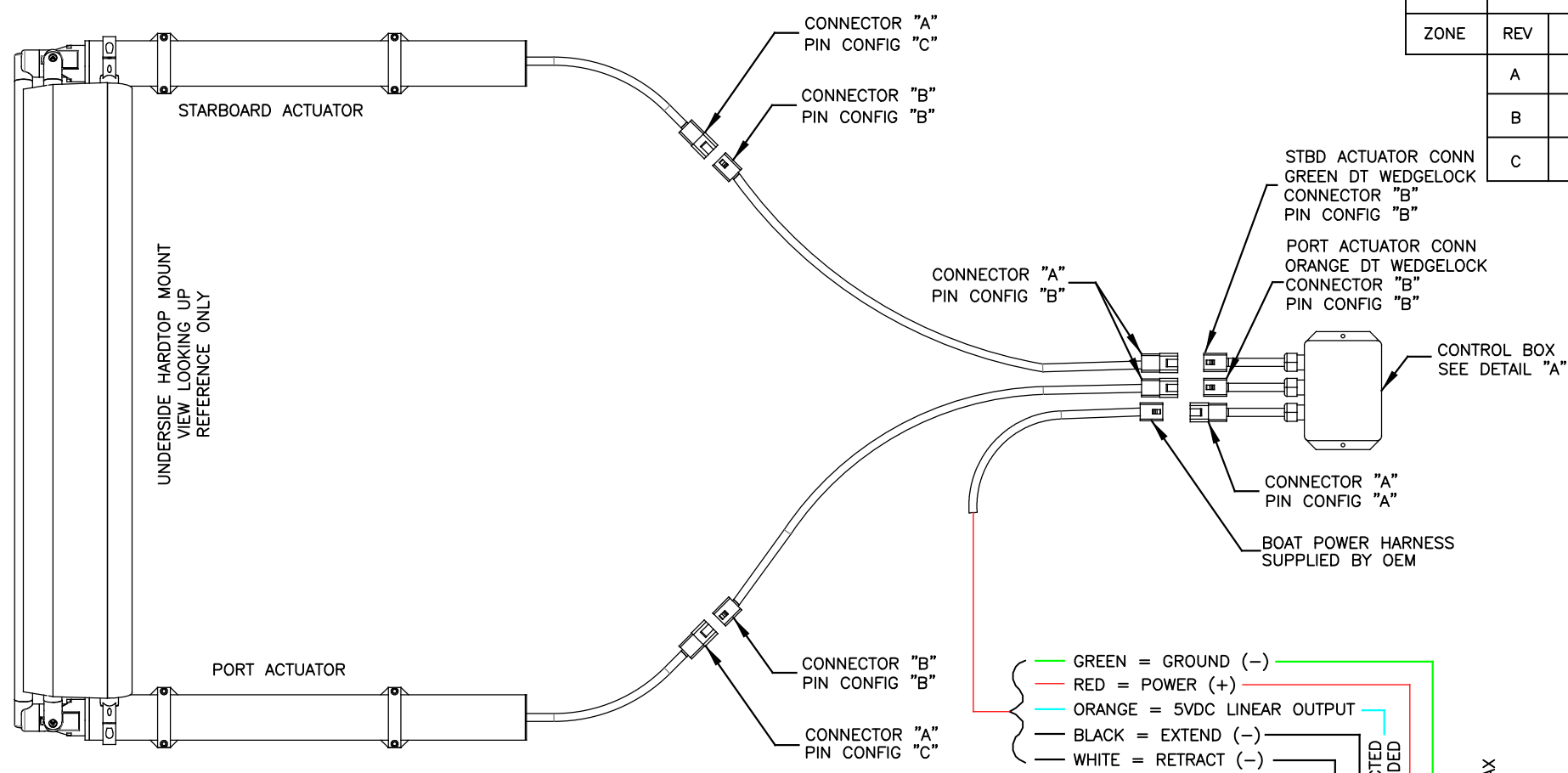


REVISIONS				
ZONE	REV	DESCRIPTION	DATE	APPROVED BY
	A	CONTROL BOX DETAIL TO MATCH REV "B" CIRCUIT BOARD	05-18-2018	RKR
	B	DETAILED COLOR CHANGES ON CONTROL BOX DEUTSCH PLUGS	06-21-2018	RKR
	C	ADDED ROTARY SWITCH DETAIL "B" - STATUS LIGHT IN DETAIL "A"	08-03-2018	RKR



CONNECTOR PART NUMBERS	
CONNECTOR "A"	DEUTSCH PART # DT04-6P
CONNECTOR "B"	DEUTSCH PART # DT06-6S

PIN CONFIGURATION "A" - POWER HARNESS		
PIN #	WIRE COLOR	DESCRIPTION
1	GREEN	GROUND (-)
2	WHITE	SWITCH CONNECTION "RETRACT"
3	BLACK	SWITCH CONNECTION "EXTEND"
4	RED	MAIN POWER (+)
5	EMPTY	EMPTY
6	ORANGE	5VDC SIGNAL OUTPUT

PIN CONFIGURATION "B" - ACTUATOR HARNESS		
PIN #	WIRE COLOR	DESCRIPTION
1	WHITE	SENSOR COMMUNICATIONS
2	RED	SENSOR POWER (+)
3	BLACK	SENSOR GROUND (-)
4	ORANGE	MOTOR POWER (+)
5	GREEN	MOTOR GROUND (-)
6	EMPTY	EMPTY

PIN CONFIGURATION "C" - ACTUATOR CONNECTORS		
PIN #	WIRE COLOR	DESCRIPTION
1	WHITE	SENSOR COMMUNICATIONS
2	RED	SENSOR POWER (+)
3	BLACK	SENSOR GROUND (-)
4	BLACK	MOTOR CW ROTATION
5	RED	MOTOR CCW ROTATION
6	EMPTY	EMPTY

PROPRIETARY AND CONFIDENTIAL
 THE INFORMATION CONTAINED IN THIS DRAWING IS THE SOLE PROPERTY OF Rodan Enterprises / SureShade. ANY REPRODUCTION IN PART OR AS A WHOLE WITHOUT THE WRITTEN PERMISSION OF Rodan Enterprises / SureShade IS PROHIBITED.

SURESHADE

PROJECT: **SILENT GLIDE - ATF WIRING DIAGRAM**

SIZE	DRAWN BY	CHECKED	DWG NUMBER	REV
B	GCI	RKR	ATFSG-321-001	C
SCALE	DATE	SHEET		
NONE	06-21-2018	1 OF 1		